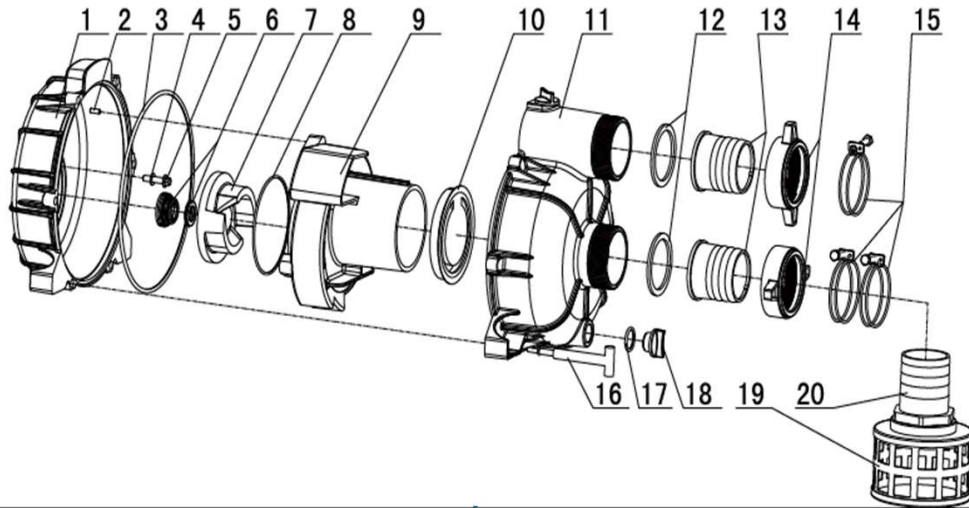


WB50/WB80 自吸泵示意图

WB50/WB80 PUMP SKETCH MAP



Poz.	Descriere	Cantitate necesara		
			2"	3"
1	Water pump cover	1		
2	Dowel pin	1		
3	O ring	1		
4	Sealed washer	4		
5	Bolt	4		
6	Mechanical seal	1		
7	Impeller	1		
8	O ring	1		
9	Diffuser	1		
10	Sealing ring	1		
11	Pump body	1		
12	Sealing washer	2		
13	Pipe	2		
14	Spanner	2		
15	Clamp	3		
16	Connecting screw rod	6		
17	O ring	2		
18	Whorl plug	2		
19-20	Filter cover + Pipe	1		